



Fall Protection

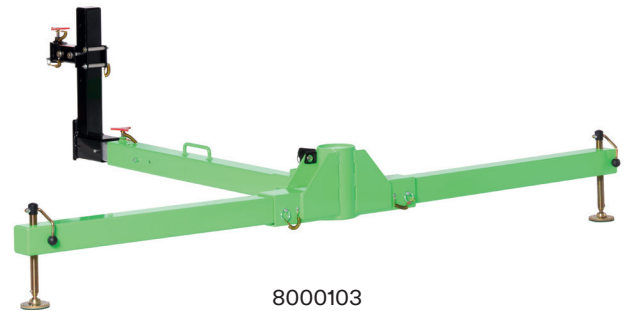
Technical Data Sheet

8000103, 8000116

3M™ DBI-SALA® Vehicle Hitch Mount Base High Capacity

Part Number(s): 8000103
Product Type: Vehicle Hitch Mount Base High Capacity

Part Number(s): 8000116
Product Type: Extended Height Vehicle Hitch Adjustment



8000103

Description

Sub-brand:	DBI-SALA®
Industry:	Various confined space
Applications:	<ul style="list-style-type: none"> • Fall arrest • Rescue • Access

Features

Base Material:	Aluminium 6061-T6, powder coat painted
Capacity:	<ul style="list-style-type: none"> • Fall arrest: 2 users (140 kg max. each) • Load 205 kg • Rescue: 1 user (140 kg max.)
Net Weight:	<ul style="list-style-type: none"> • 8000103 - 40.8 kg • 8000116 - 4.00 kg
Mast Rotation:	360° (*)
Standards:	<ul style="list-style-type: none"> • CE EN795:2012 Type B • EN1496:2006 Class B • CEN/TS16415:2013 Type B • AS/NZS 5532:2013

Compatibility with 3M DBI-SALA Davit High Capacity components (*)

Davit Arm:	Suitable for use with short or long reach davit arm HC
Mast Extension:	Only 1 davit mast extension can be used



Model Shown: 8000116

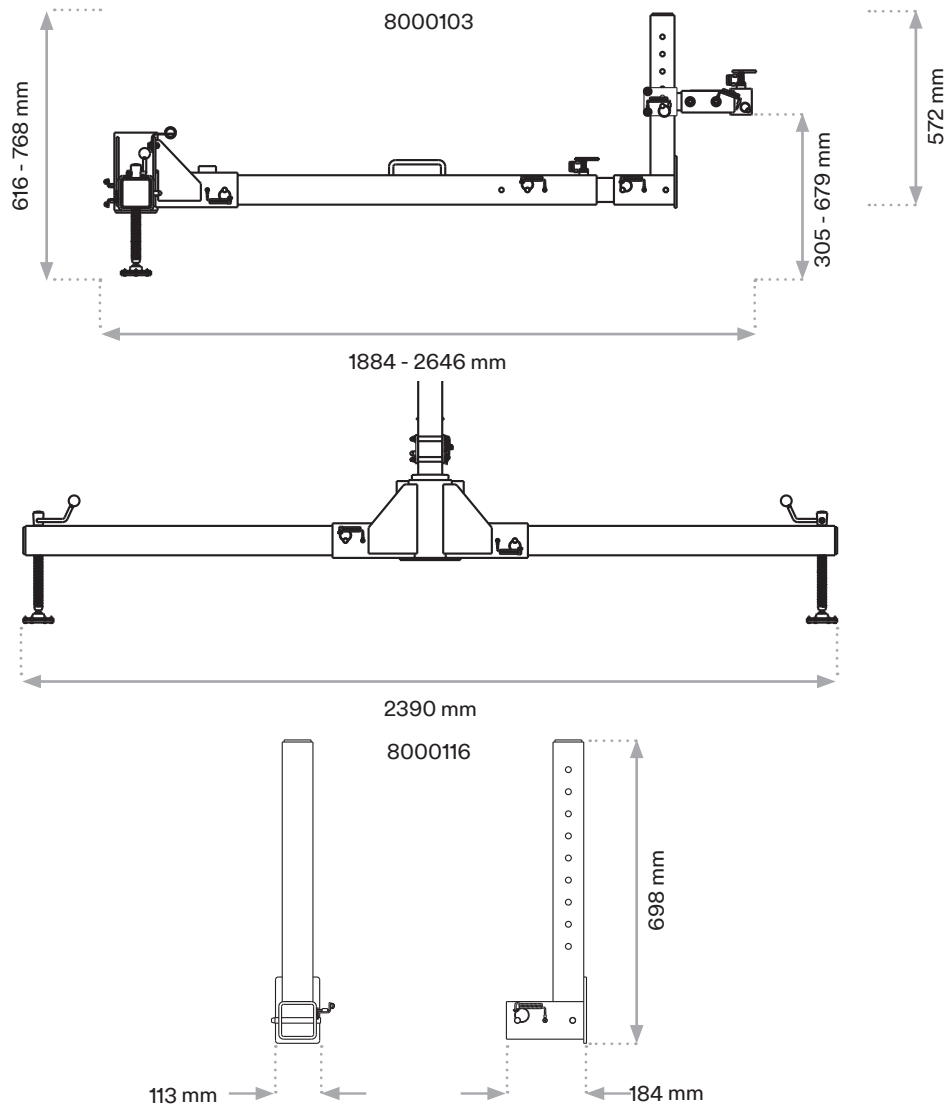
See page 2 for dimensions

Structure and vehicle requirements (*)

Structure:	<ul style="list-style-type: none"> • Structures capable of withstanding a 13.79 kN (3 100 lb) vertical load. • 15.2 cm Foot height adjustment.
Vehicle Requirements:	<ul style="list-style-type: none"> • Connects to a 50 mm (2") ball coupler. • Minimum vehicle weight: 925 kg.
Ball Coupler Height:	<ul style="list-style-type: none"> • 8000103 - Bottom of ball coupler can be adjusted from 305 cm to 679 cm high. • When 8000116 is used with 8000103, the bottom of ball coupler can be adjusted from 305 cm to 805 cm high.

*See Instructions For Use (IFU)

Vehicle Hitch Mount Base High Capacity.



Important Notice

The mounting and use of the product described within this document assumes that the user has previous experience of this type of product and that it will be assembled by a competent professional according to product documentation. Before any use of this product it is recommended to complete some trials to validate the performance of the product within its expected application.

All information and specification details contained within this document are inherent to this specific 3M product and would not be applied to other products or environment. Any action or usage of this product made in violation of this document is at the risk of the user.

Compliance to the information and specification relative to the product contained within this document does not exempt the user from compliance with additional guidelines (safety rules, procedures). Compliance to operational requirements especially in respect to the environment and usage of tools with this product must be observed. The 3M Group (who cannot verify or control these elements) would not be held responsible for the consequences of any violation of these rules which remain external to its decision and control.

Warranty conditions for products are determined with the sales contract documents and with the mandatory and applicable law, excluding any other warranty or compensation.

3M Fall Protection

Capital Safety (Northern Europe) Limited
3M Centre, Cain Road
Bracknell, Berkshire, RG12 8HT, UK

Capital Safety Group (EMEA)
Le Broc Center, Bâtiment A, Z.1. 1re Avenue – BP15
06511 Carros Le Broc, Cedex, FRANCE

Email informationfallprotection@mmm.com Web 3M.com/FallProtection

3M, DBI-SALA, belongs to 3M Company and its affiliates.



Fall Protection